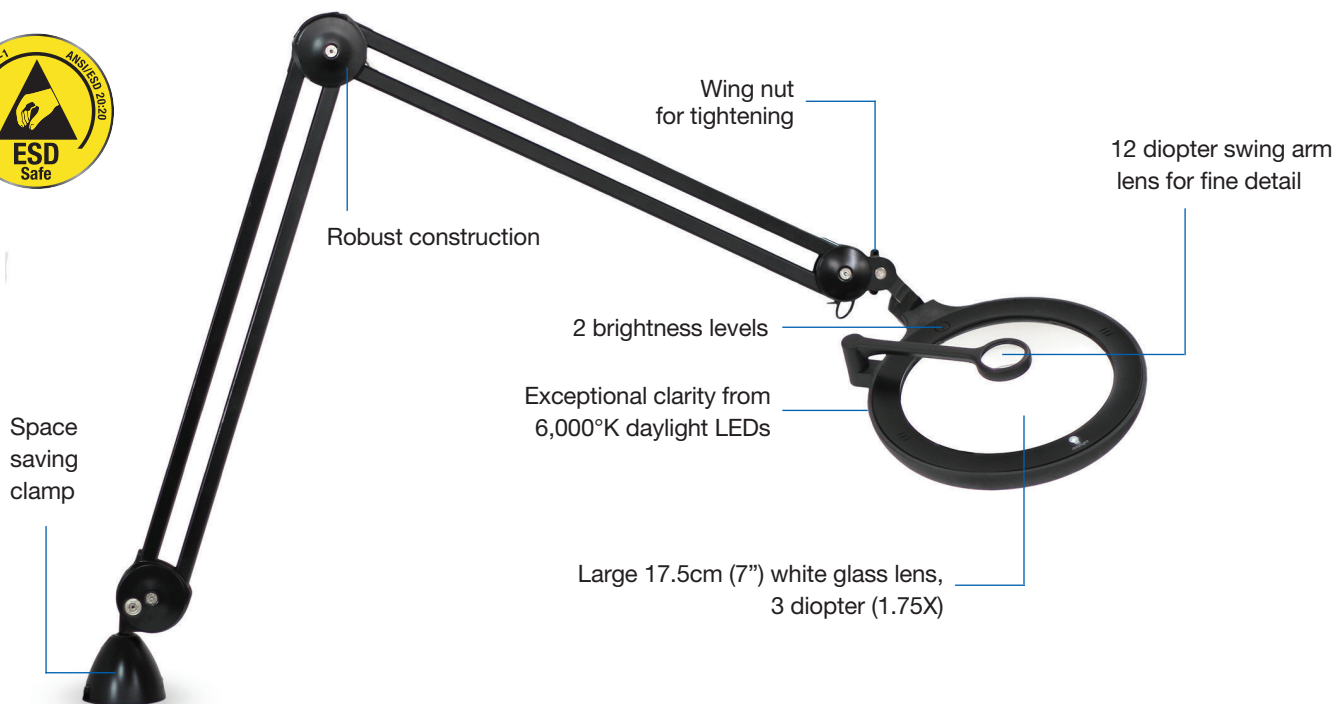


OMEGA 7 ESD

D/E25171



OMEGA 7 ESD

Our ESD compliant magnifiers use carbon-fibre and special conductive coatings to guarantee 100% ESD compliance for the lifetime of the magnifier. Large 17.5cm (7'') diameter, 3 diopter (1.75X) optical quality white glass lens provides the largest field of view to allow precise inspection. Supplied with 12 diopter (4.0X) swing arm lens for inspecting fine detail. An optional 12.7cm (5'') diameter, 5 diopter (2.25X) lens is available separately.

Light Output	
Light Source	60 SMD LEDs
Lumens	814 lm
Lux	6,330 Lux at 15cm (6'')
Colour Temperature	6,000°K daylight
Power Consumption	12W
Product Information	
Colour	Black
Reach	118cm (46.5'')
Lens Size	17.5cm (7'')
Primary Lens Magnification	3D (1.75X)
Swing Arm Lens Magnification	12D (4.0X)
Lens Material	Optical Quality White Glass
Optional Magnification	5D (2.25X)

