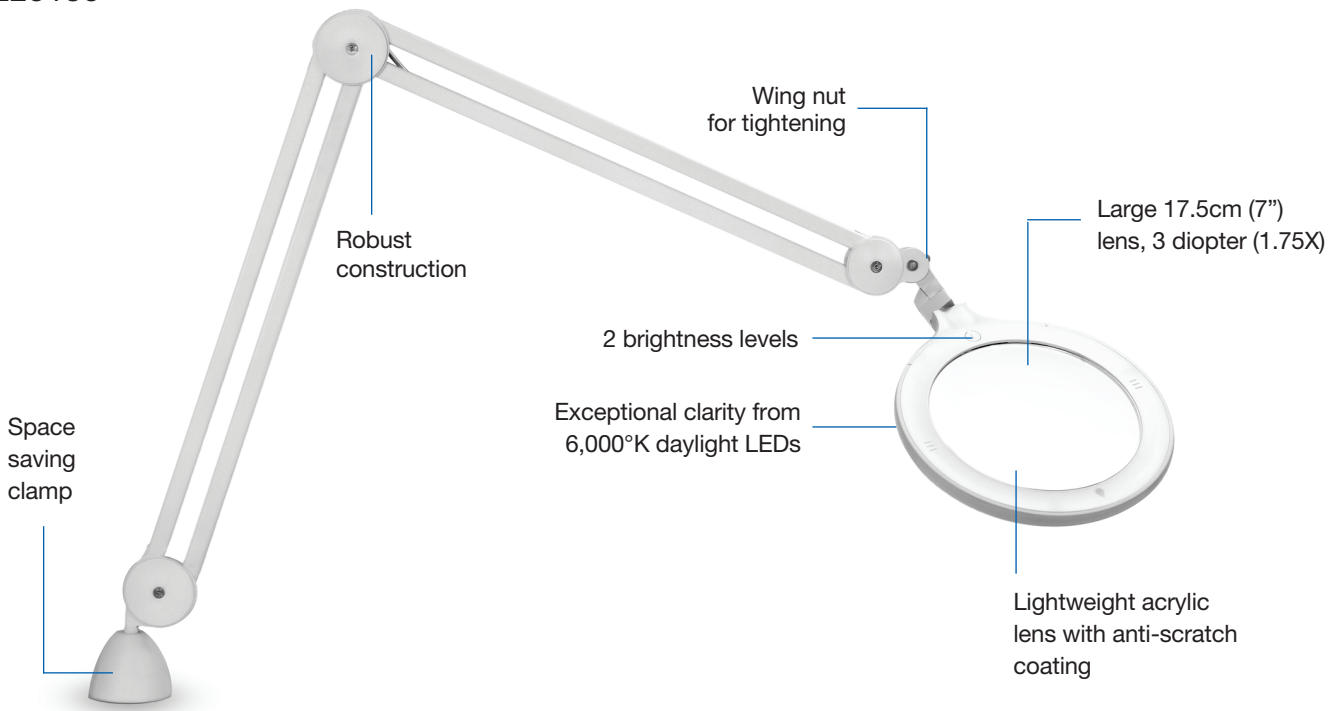


OMEGA 7

D/E25130



OMEGA 7

The new Omega 7 Magnifier is a modern, ergonomically designed magnifying lamp. It has a large 17.5cm (7") diameter, 3 diopter (1.75X), lightweight acrylic lens and high power LEDs with 2 brightness levels for clear viewing. The internal spring arm allows accurate positioning. An optional 12.7cm (5") diameter, 5 diopter (2.25X) lens and a 12 diopter (4.0X) swing arm lens are available separately.

Light Output	
Light Source	60 SMD LEDs
Lumens	814 lm
Lux	6,300 Lux at 15cm (6")
Colour Temperature	6,000°K daylight
Power Consumption	12W
Product Information	
Colour	White/Grey
Reach	118cm (46.5")
Lens Size	17.5cm (7")
Magnification	3D (1.75X)
Lens Material	Acrylic
Optional Magnification	5D & 12D (2.25X and 4.0X)

